

Quote Request Forms for Engine Component Insulation Blankets

General Overview & Dimensions

EXHAUST SYSTEM DRAWING

A	
B	
C	
D	
E	
F	
G	
H	
i	
J	
K	
L	
M	
N	
O	
P	
Q	
R	
S	
T	
U	
V	
W	
X	
Y	
Z	

1. MAKE AND MODEL OF SILENCER? IS IT A SIDE INLET OR STRAIGHT THROUGH DESIGN?
2. IS THERE A DRAIN OR SPARK ARRESTOR ON THE SILENCER? LOCATE ON DRAWING.
3. LOCATE ALL HANGERS AND SUPPORTS ON DRAWING

PLEASE CIRCLE PIPE HANGER/SUPPORT BELOW

EXAMPLE 1

EXAMPLE 2

EXAMPLE 3

EXAMPLE 4

PLEASE CIRCLE SILENCER HANGER/SUPPORT BELOW

EXAMPLE 1

EXAMPLE 2

EXAMPLE 3

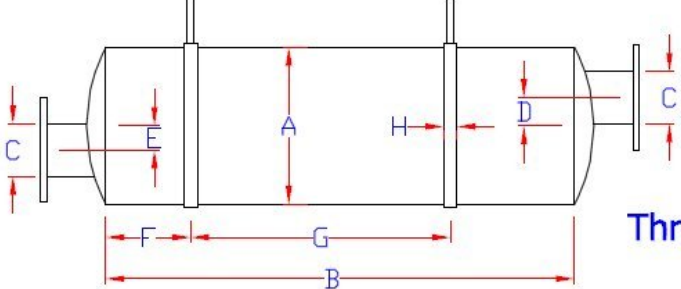
EXAMPLE 4

Notes: _____

Your Email Address: _____ Phone: _____
 Name: _____

Muffler / Silencer Dimensions Form for Insulation Blankets

REQUIRED SILENCER INFORMATION



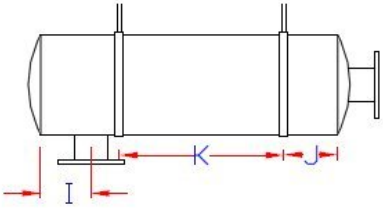
Through Inlet/Outlet

ALL SILENCER VERSIONS

A	Ø	
B	Weld to weld length	
C	Inlet/outlet OD	
D	Outlet offset (0 if N/A)	

THRU INLET/OUTLET VERSION ONLY

E	Inlet offset (0 if N/A)	
F	Support 1 Offset (if applicable)	
G	Support 2 Offset (if applicable)	
H	Support Width	



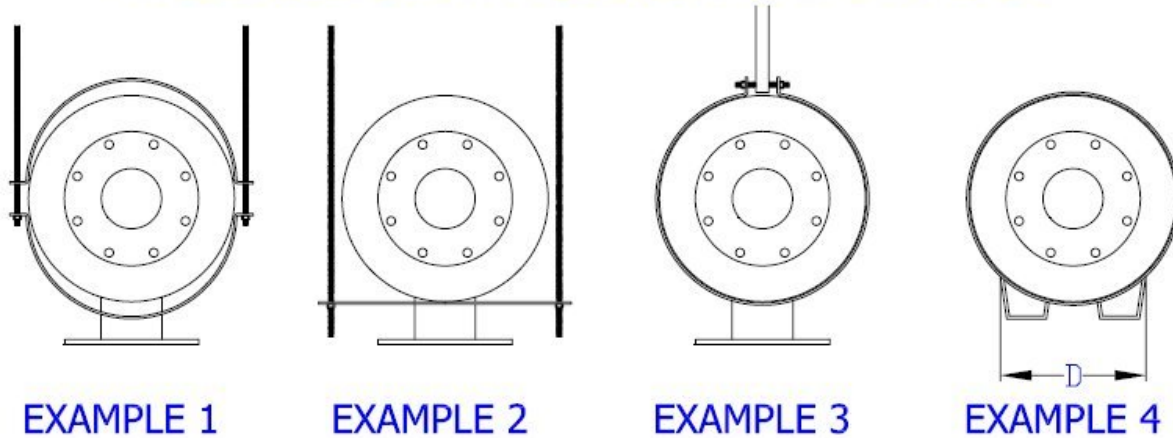
Side Inlet

SIDE INLET VERSION ONLY

I	Inlet offset	
J	Support 1 Offset (if applicable)	
K	Support 2 Offset (if applicable)	

Muffler / Silencer Support Type and Bracket Location Dimensions

TYPICAL SILENCER HANGER/SUPPORT DRAWING



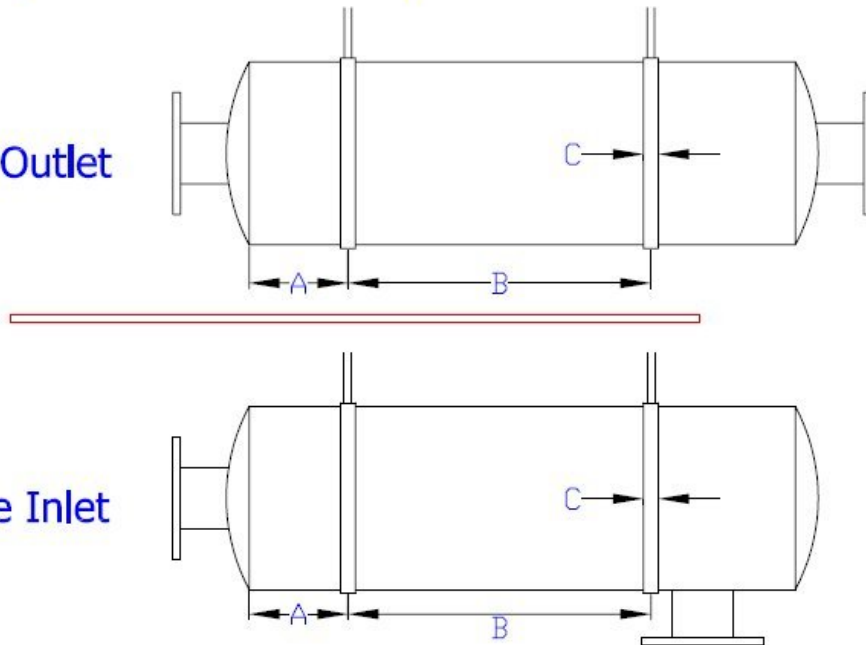
Please indicate the relevant support system.

Example of dimensions required to locate brackets

Through Inlet/Outlet

A	
B	
C	
D	

Side Inlet



Flex, Flange and Elbow Dimensions for Insulation Blankets

REQUIRED INFORMATION FOR FLEXES, FLANGES, AND ELBOWS

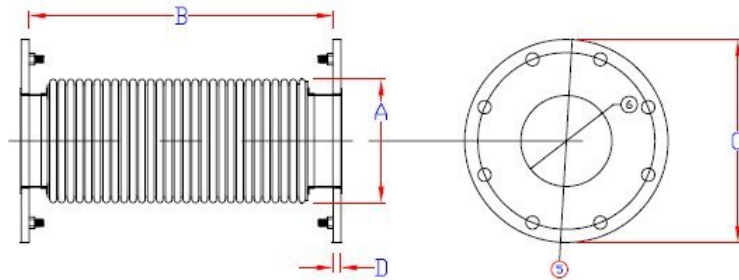
FLEX AND FLANGES

FLEXES

A	OD	
B	LENGTH	

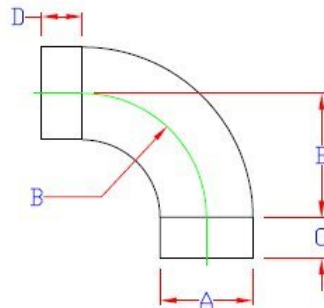
FLANGES

C	OD	
D	Flange Width	



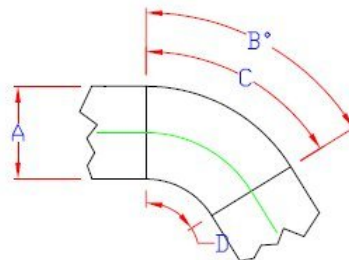
90° ELBOWS

A	OD	
B	Radius Length	
C	Extension 1	
D	Extension 2	



MISCILANEOUS ELBOWS

A	OD	
B	Angle (if known)	
C	Outer Arc Length	
D	Inner Arc Length	



Turbo Charger Dimension Form for Insulation Blankets

AB Technology Group
 info@abthermal.com
 Fax 610-340-9054

GENERIC TURBO DIMENSION SHEET.

ENGINE MAKE:
 ENGINE MODEL:

1	
2	
3	
4	
5	
6	
7	
8	
9	
10	
11	
12	
13	
14	
15	

